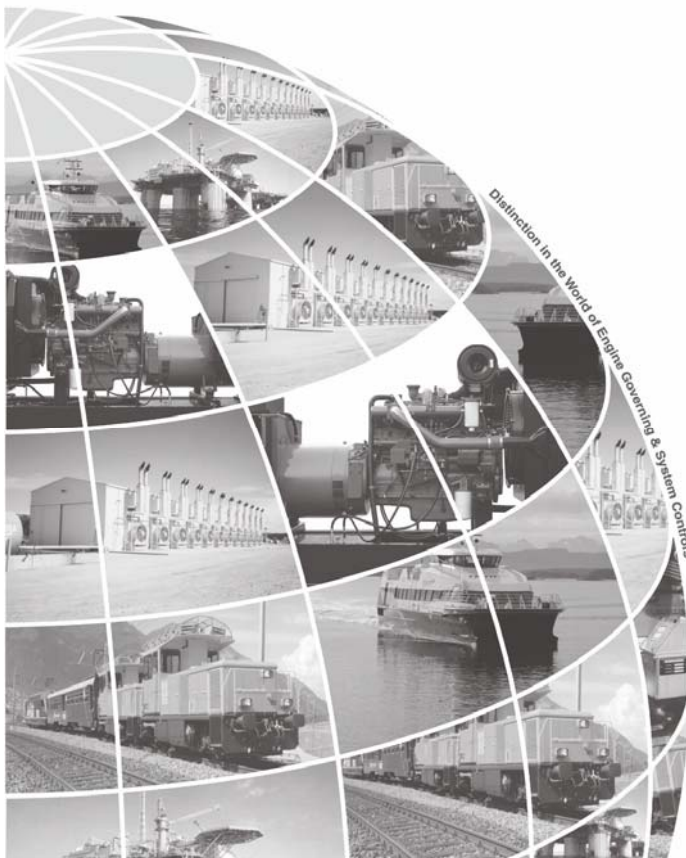


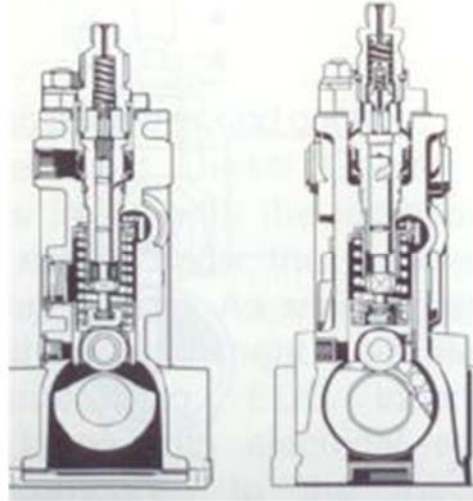
## 275 Series Actuator Mounting Kits

Kit Number	Application:
KT275	Bosch P3000 Series Pump Camshaft Bearing Retainer
KT276	Bosch P7000/P8000 Series Pump Camshaft Bearing Retainer
KT278	Bosch RP21 Series Actuator Mounting Kit with Bosch Adapter Plate
KT278-1	Bosch RP21 Series Actuator Mounting Kit
KT3000-MT	Bosch P3000 Series for MTU (Vibration Resistant)
KT7001-MT	Bosch P7000/P8000 Series Pumps for MTU (Vibration Resistant)
KT275-L	Longbeng-BH6PZ / 13038049 Pump Family



## 275 Series Actuator Mounting Kits

### GAC Bearing Kit Identification for Bosch 'P' Pumps



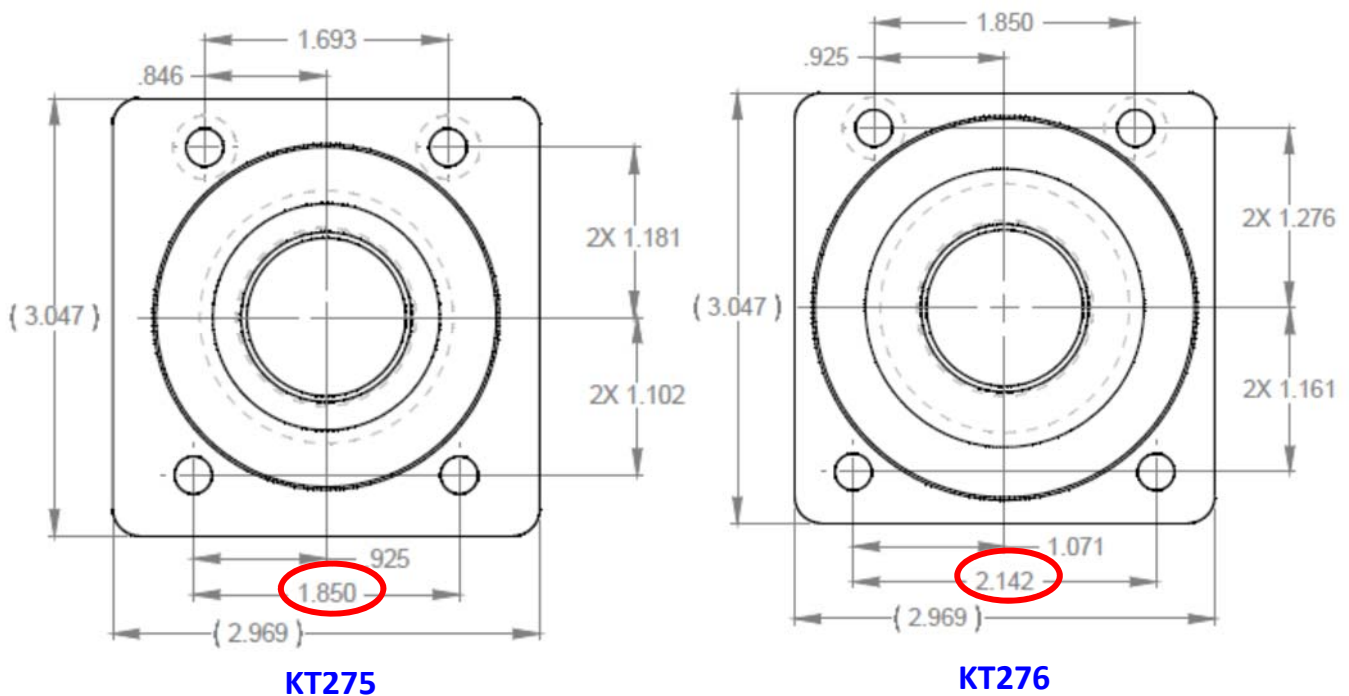
**P3000 Pump**

Flat Plate On The Bottom  
Bearing Kit #[KT275](#)

**P7000 Pump**

Series of Plugs On The Bottom  
Bearing Kit #[KT276](#)

➡ Always Measure the Bolt Hole Spacing for Confirmation ◀



## KT275 / KT276 Parts Lists:

Reference Product Information Bulletin No. PIB2031

### KT275:

Camshaft bearing kit for Bosch P3000 series pumps

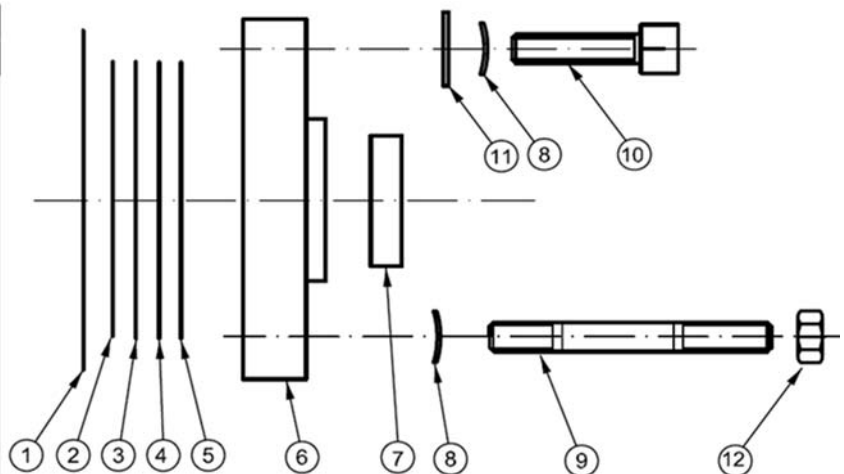


### KT276:

Camshaft bearing kit for Bosch P7000 & P8000 series



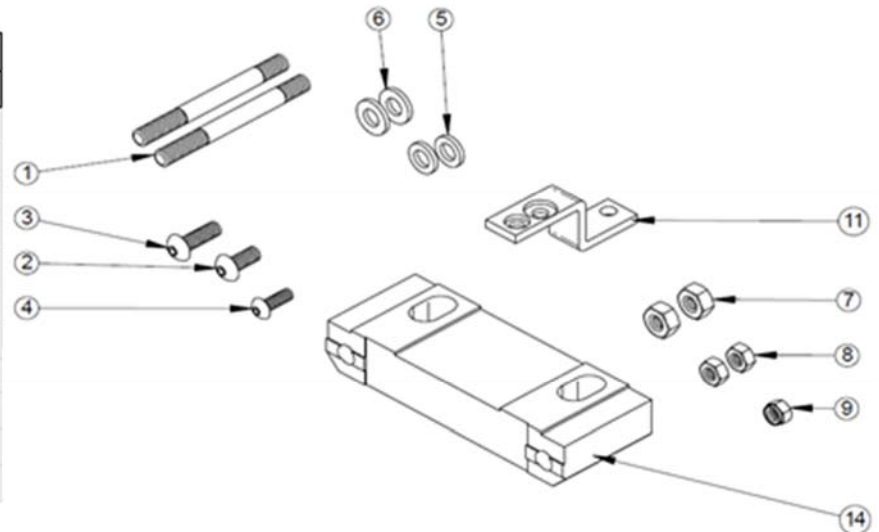
POS	QTY	DESCRIPTION	KIT PART NUMBER	
			KT -275	KT-276
1	1	Gasket	GA283	GA282
2	2	Shim	SR276-1	SR275-1
3	2	Shim	SR276-2	SR275-2
4	2	Shim	SR276-3	SR275-3
5	1	Shim	SR276-4	SR275-4
6	1	Plate	PL280	PL281
7	1	Seal	SE100	SE100
8	4	M6 Spring Washer	HW06-600	HW06-600
9	2	M6 45mm Stud	HW05-500	HW05-500
10	2	M6x20 Cap Screw	HW05-514	HW05-514
11	2	M6 Flat Washer	HW06-601	HW06-601
12	2	M6 Hex Nut	HW07-700	HW07-700



**KT278 for Bosch RP21 Pump with RB Adapter Plate**

**KT278-1 for Bosch RP21 Pump with Adapter Plate**

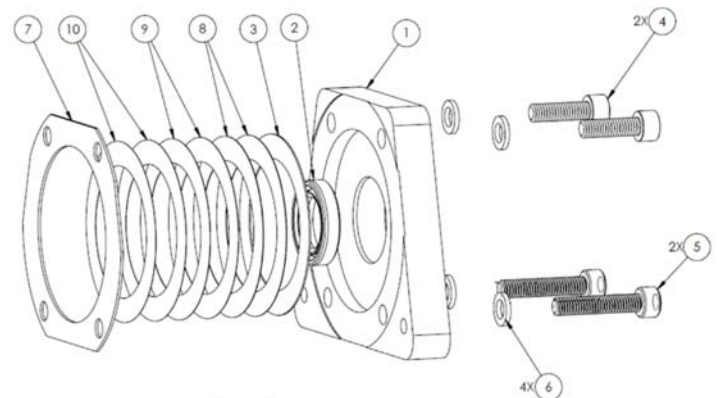
POS	QTY	DESCRIPTION	KIT PART NUMBER	
			KT-278	KT-278-1
1	2	M6x50 Stud	HW05-502	HW05-502
2	1	M5x12 Cap Screw	HW05-541	HW05-541
3	1	M5x16 Cap Screw	HW05-542	HW05-542
4	1	M4x12 Cap Screw	HW05-543	HW05-543
5	2	M6 Spring Washer	HW06-600	HW06-600
6	2	M6 Flat Washer	HW06-601	HW06-601
7	2	M6 Hex Nut	HW07-700	HW07-700
8	2	M5 Castle Nut	HW07-704	HW07-704
9	1	M4 Castle Nut	HW07-708	HW07-708
11	1	Link	LK276	LK276
14	1	Adapter Plate	PL272	PL262



**KT3000-MT for Bosch P3000 Series Pumps for MTU**

**KT7001-MT for Bosch P7000/8000 Series Pumps for MTU**

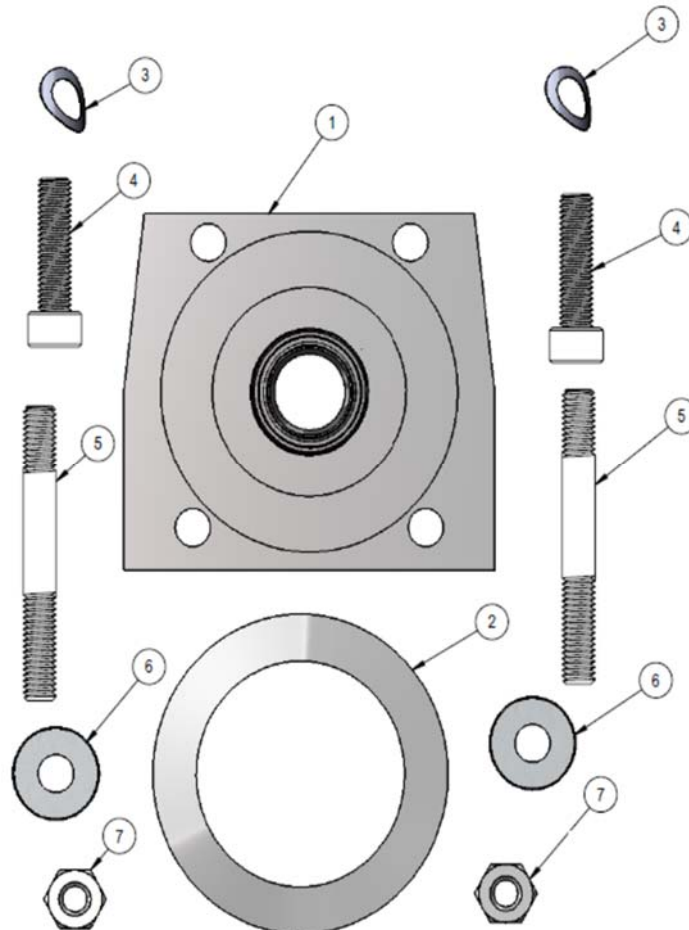
POS	QTY	Description	KIT PART NUMBER	
			KT3000-MT	KT7001-MT
1	1	Plate, Retaining	PL322	PL706
2	1	Seal, Oil	SE100	SE100
3	1	Spacer, Shim	SR276-4	SR275-4
4	2	SCH Cap Scr, M6X20	HW05-514	HW05-514
5	2	SCH Cap Scr, M6X30	HW05-547	HW05-547
6	4	Spring washer M6	HW06-600	HW06-600
7	1	Gasket	GA285	GA284
8	2	Spacer, Shim	SR276-3	SR275-3
9	2	Spacer, Shim	SR276-2	SR275-2
10	2	Spacer, Shim	SR276-1	SR275-1





**KT275-L for Longbeng-BH6PZ / 13038049 Pump Family**  
**For Use with Actuator: ACE275HDM-24**

Item	Part No.	Description	Qty
1	PLS275-L	BEARING RETAINER PLATE, LONGBENG, 275	1
2	SR119	SHIM, SPRING, 71.5MM O.D, 50.5MM I.D, 0.7MM THICK, 2.1MM HIGH	1
3	HW06-604	LOCK WASHER, M8, SPRING	2
4	HW05-497	SCREW, CAP, M8 x 30	2
5	HW05-714	STUD, M8 x 50, 66.4MM OVERALL LENGTH	2
6	HW06-619	WASHER, FLAT, M8, 3.5MM THICK	2
7	HW07-703	HEX NUT, M8	2



## 275 Series Actuator Mating Connector and Mating Harness Kits

<b>Actuator Mating Connector Kits</b>	
<b>Part Number</b>	<b>Description:</b>
EC1000	Military – Straight Connector / 6 Terminal
EC1010	Military – 90° Connector / 6 Terminal
EC1300	Packard Connector / 2 Terminal
EC1310	Packard Connector Kit Replacement / 2 Terminal
EC1515	Feedback Sensor / 6 Terminal

<b>Actuator Mating Harness Kits</b>	
<b>Part Number</b>	<b>Description:</b>
CH1203	12 Foot – Military Straight Connector / 6 Terminal
CH1210	12 Foot – Military 90° Connector / 6 Terminal
CH1215	6 Foot – Packard Connector / 2 Terminal
CH1515	6 Foot – Feedback Sensor Shielded Harness / 6 Terminal